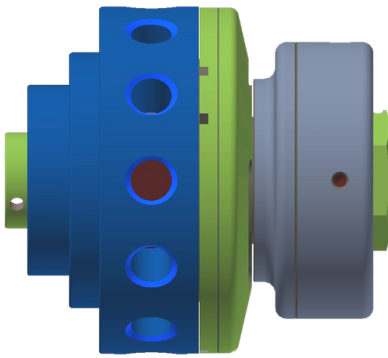


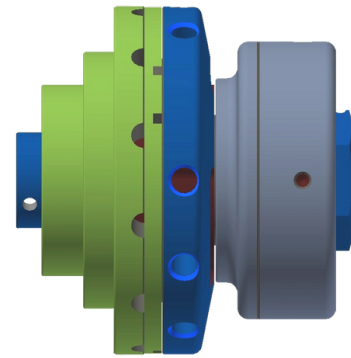


SensiFlex®

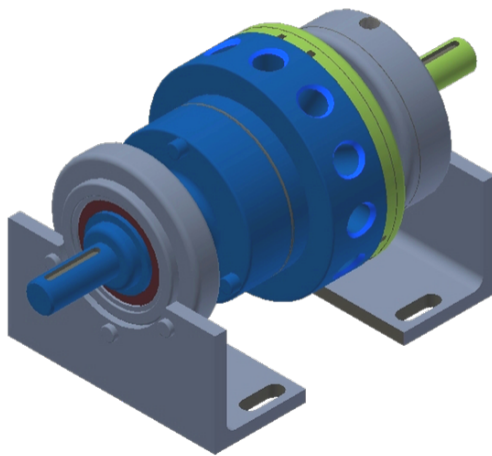
Tension Control Clutch
& Brake Design Options



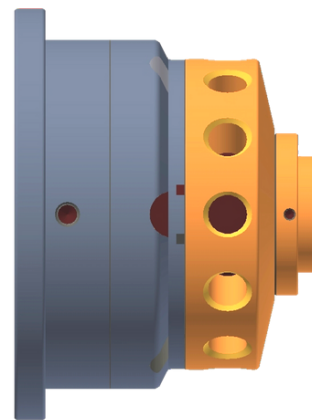
SensiFlex® PI
Pilot Input Clutch



SensiFlex® SI
Shaft Input Clutch



SensiFlex® FM
Foot Mount Clutch



SensiFlex® BK
Brake

ROTATES AT
SPEED OF
DRIVE INPUT

ROTATES WHEN
CLUTCH IS
ENGAGED

SLOWS/STOPS
WHEN BRAKE IS
ENGAGED

ALWAYS
STATIONARY