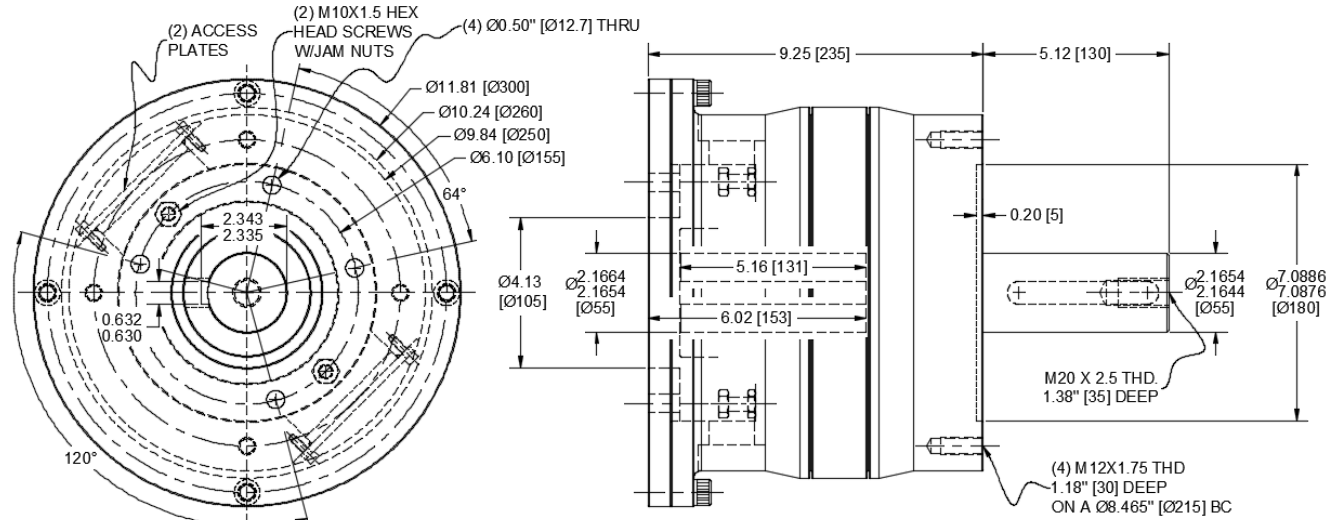


T8C3K-001

Mechanical Friction Torque Limiter C-face Mount



Designed for brief overloads.
Does not automatically disconnect.



Engagement/Disengagement

Spring/None

Facing Type

High Coefficient

Minimum Torque Setting

850 Pound Inches

Maximum Torque Setting (Spring Compression ≈ 23%)

18,440 Pound Inches

Maximum RPM

1,325

Input Bore/Output Shaft

55mm [2.165] Inches

Finish

Steel

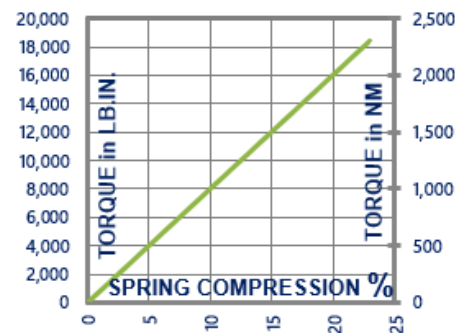
Open or Enclosed Construction

Enclosed

Shipping Weight

166 Pounds

TORQUE vs. SPRING PRESSURE



NEW vs. BURNISHED TORQUE

The torque output setting of a friction torque limiter is set at the factory or in the field when new. (All torque settings are +/- 10%.) Repeated overload will burnish the friction surfaces and may increase the slip torque setting. The torque setting should be tested after prolonged or frequent overload and re-set if needed.

PRODUCT SELECTION

Torque capacity is only one factor to consider when making a product selection. Ensure that you will have the right product for the job by contacting our engineering department for application review and selection assistance.



101 Cummings Drive
Walton, KY 41094 USA

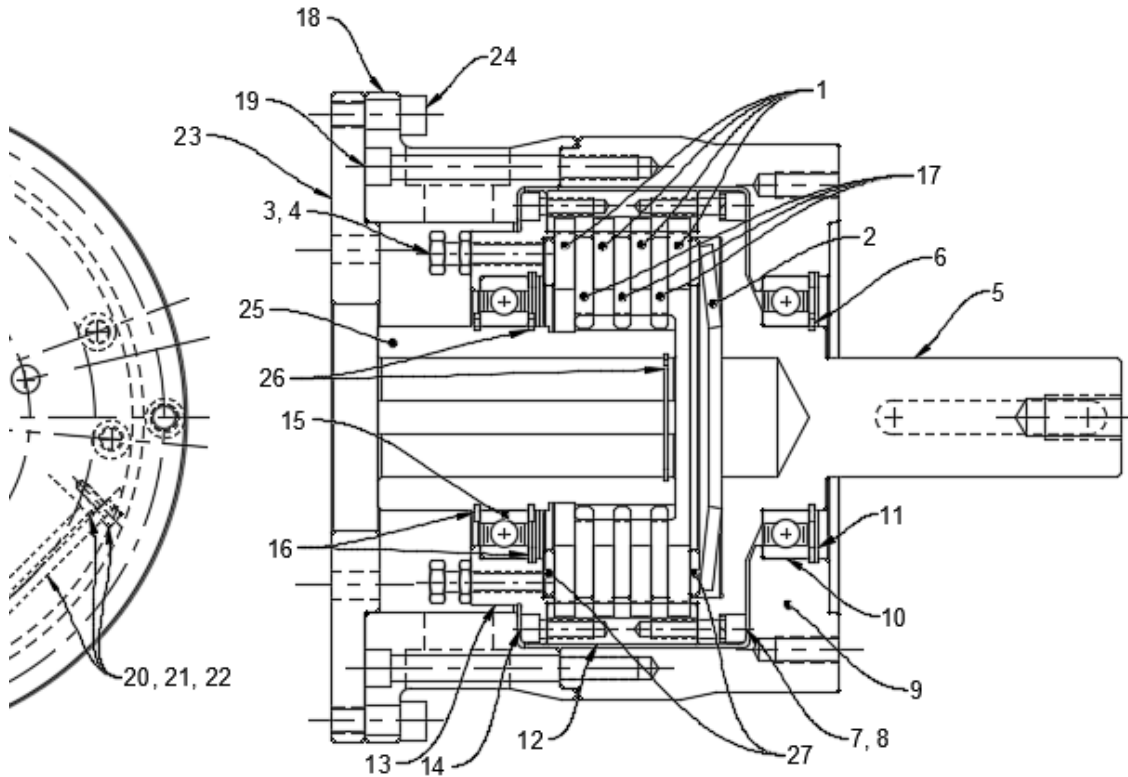
859-291-0849

machiii.com

engineering@machiii.com

T8C3K-001

Parts Diagram



| REF# | DESCRIPTION & PARTS INCLUDED | QUANTITY | KIT NUMBER |
|------|------------------------------|----------|-----------------------|
| | REPAIR KIT | | T8C3K-001-RPRK |
| 1 | Friction Disc | 4 | |
| 2 | Disc Spring | 1 | |
| 3 | Adjustment Screw | 2 | |
| 4 | Jam Nut | 2 | |
| | DRIVE HUB KIT | | T8C3K-001-HUBK |
| 5 | Drive Hub | 1 | |
| 6 | Retainer Ring | 1 | |
| 7 | Cap Screw | 10 | |
| 8 | Lock Washer | 10 | |
| | ADAPTER-FEMALE KIT | | T8C3K-001-FADK |
| 9 | Adapter-Female | 1 | |
| 10 | Bearing | 1 | |
| 11 | Retainer Ring | 1 | |
| | ADAPTER-MALE KIT | | T8C3K-001-MADK |
| 12 | Ring Gear | 1 | |
| 13 | Adapter-Male | 1 | |
| 14 | Cap Screw | 10 | |
| 15 | Bearing | 1 | |
| 16 | Retainer Ring | 2 | |
| | DRIVE DISC KIT | | T8C3K-001-DRDK |
| 17 | Drive Disc | 3 | |
| | FACING KIT | | T8C3K-001-FCGK |
| 1 | Friction Disc | 4 | |
| | ADAPTER KIT | | T8C3K-001-ADPK |
| 18 | Adapter | 1 | |
| 19 | Cap Screw | 8 | |
| 20 | Cover Plate | 2 | |
| 21 | Cap Screw | 4 | |
| 22 | O-ring | 2 | |
| | MOUNTING PLATE KIT | | T8C3K-001-MTGK |
| 23 | Mounting Plate | 1 | |
| 24 | Cap Screw | 4 | |
| | FEMALE HUB KIT | | T8C3K-001-FHBK |
| 25 | Female Hub | 1 | |
| 26 | Retainer Ring | 2 | |
| | SPACER KIT | | T8C3K-001-SPCK |
| 27 | Spacer | 2 | |

PARTS KITS

The *Repair Kit* contains common wear items for this product. Users are encouraged to stock one or more repair kits considering the number of units installed and the potential downtime if machinery on which the unit is installed is critical equipment. To obtain current pricing and lead time for parts kits, contact customer service.

orders@machiii.com

ADDITIONAL PRODUCT INFORMATION

For illustrated guides showing how Mach III products work, selection guidelines, product manuals, and installation and use recommendations:

<https://machiii.com/resources/how-our-products-work>

For information about how to order, return policy and warranty information:

<https://machiii.com/resources/how-to-order>



859-291-0849

machiii.com

engineering@machiii.com