

98PI

Tension Control Clutch

SensiFlex® Pilot Input



Engagement/Disengagement

Air/Spring

Facing Type

Low Coefficient

Torque @ 80 PSI – Dynamic

1,214 Pound Inches

Minimum Engagement Pressure

4 - 5 PSI

Maximum Operating Pressure

80 PSI

Maximum RPM

1,550

Bore Range with Standard Keyway

0.875 (22) to 1.875 (50) Inches (mm)

Air Volume New

0.65 Cubic Inches

Air Volume Worn

2.77 Cubic Inches

Finish

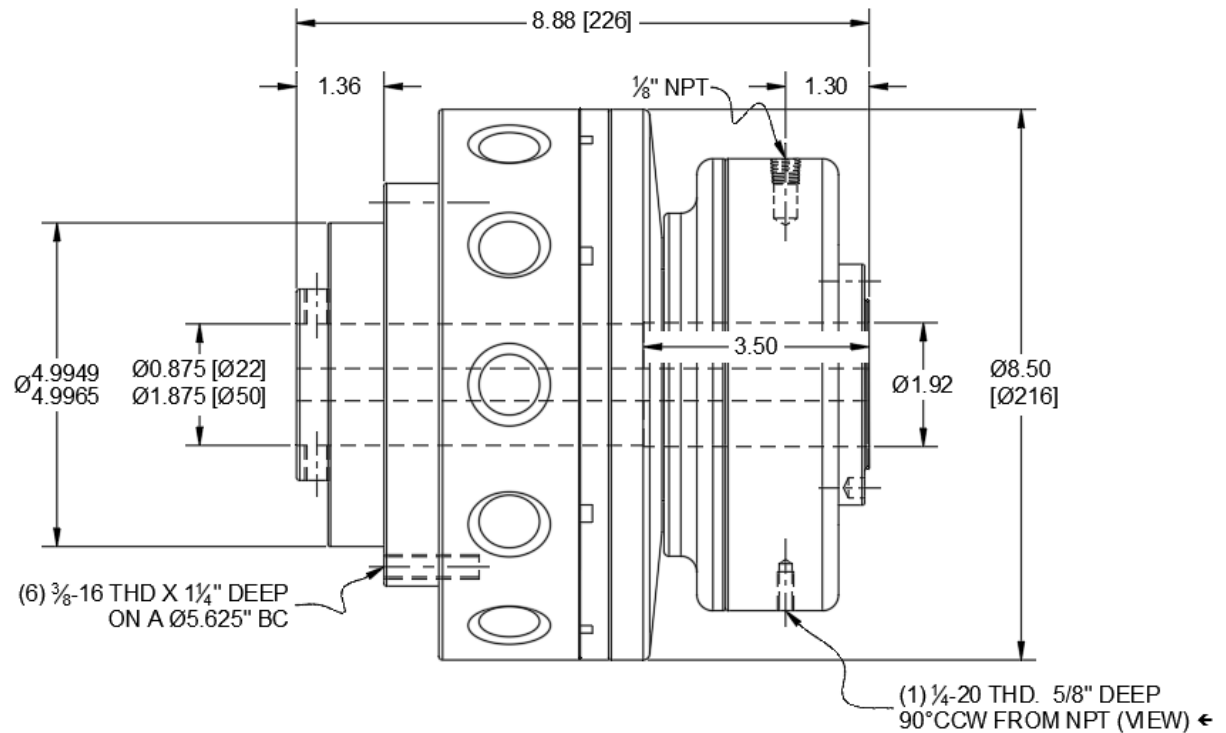
Iron

Open or Enclosed Construction

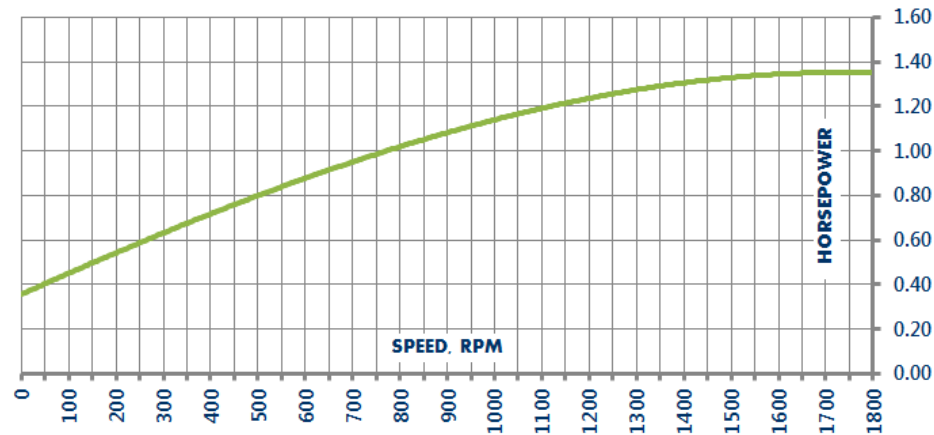
Open

Shipping Weight

53 Pounds



CONTINUOUS THERMAL HORSEPOWER

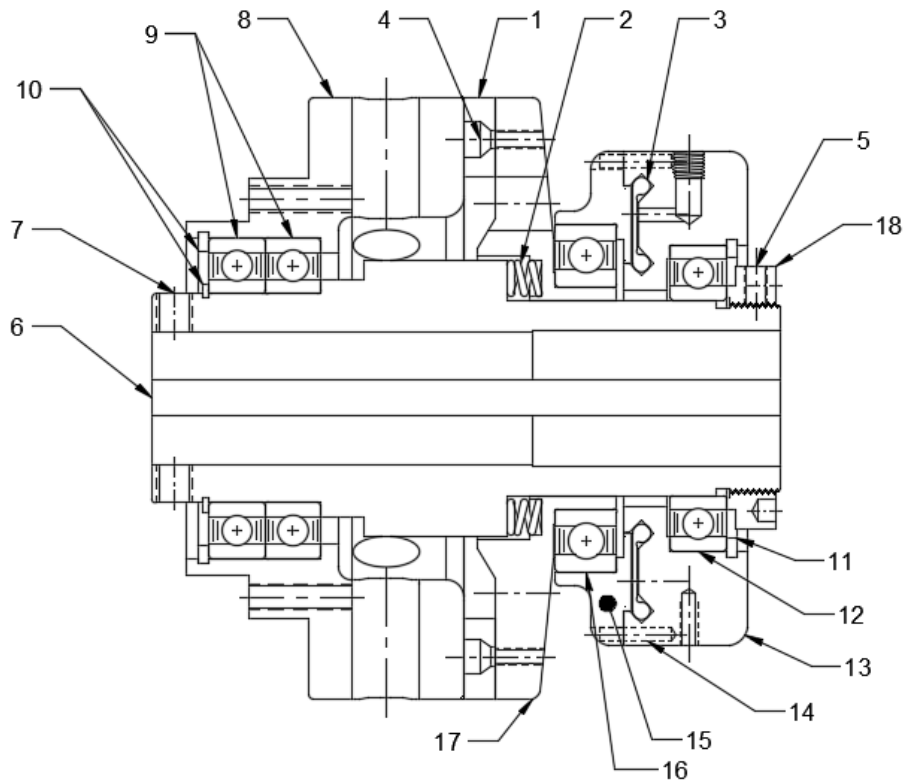


101 Cummings Drive
Walton, KY 41094 USA
859-291-0849
machiii.com

engineering@machiii.com

98PI

Parts Diagram



REF#	DESCRIPTION & PARTS INCLUDED	QUANTITY	KIT NUMBER
	REPAIR KIT		98PI-LOCO-RPRK
1	Friction Disc	1	
2	Coil Spring	6	
3	Diaphragm	1	
4	Screw	6	
5	Nylon Point Set Screw	1	
	DRIVE HUB KIT		98PI-HUBK
6	Drive Hub	1	<i>Specify Bore Size When Ordering</i>
7	Set Screw	2	
	SLEEVE KIT		98PI-SLVK
8	Sleeve	1	
9	Bearing	2	
10	Retainer Ring	2	
	CYLINDER KIT		98PI-CYLK
11	Retainer Ring	1	
12	Bearing	1	
13	Cylinder	1	
14	Pin	2	
	PISTON KIT		98PI-PSTK
15	Piston	1	
16	Bearing	1	
17	Drive Disc	1	
	FACING KIT		98PI-LOCO-FCGK
1	Friction Disc	1	
4	Screw	6	
5	Nylon Point Set Screw	1	
	NUT KIT		98PI-NUTK
18	Nut	1	
5	Nylon Point Set Screw	1	

PARTS KITS

The *Repair Kit* contains common wear items for this product. Users are encouraged to stock one or more repair kits considering the number of units installed and the potential downtime if machinery on which the unit is installed is critical equipment. To obtain current pricing and lead time for parts kits, contact customer service.

orders@machiii.com

ADDITIONAL PRODUCT INFORMATION

For illustrated guides showing how Mach III products work, selection guidelines, product manuals, and installation and use recommendations:

<https://machiii.com/resources/how-our-products-work>

For information about how to order, return policy and warranty information:

<https://machiii.com/resources/how-to-order>



859-291-0849

machiii.com

engineering@machiii.com