

# 98FM

## Tension Control Clutch

SensiFlex® Foot Mount



### Engagement/Disengagement

Air/Spring

### Facing Type

Low Coefficient

### Torque @ 80 PSI – Dynamic

1,214 Pound Inches

### Minimum Engagement Pressure

4 - 5 PSI

### Maximum Operating Pressure

80 PSI

### Maximum RPM

1,550

### Input/Output Shaft with Standard Keyway

1.250 Inches

### Air Volume New

0.65 Cubic Inches

### Air Volume Worn

2.77 Cubic Inches

### Finish

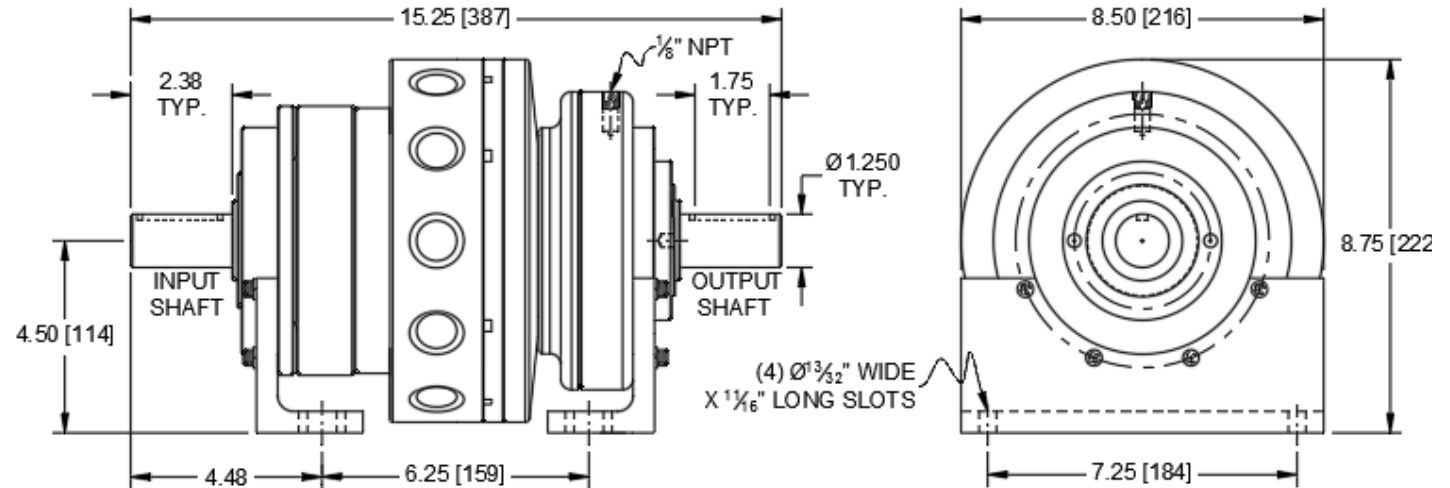
Iron

### Open or Enclosed Construction

Open

### Shipping Weight

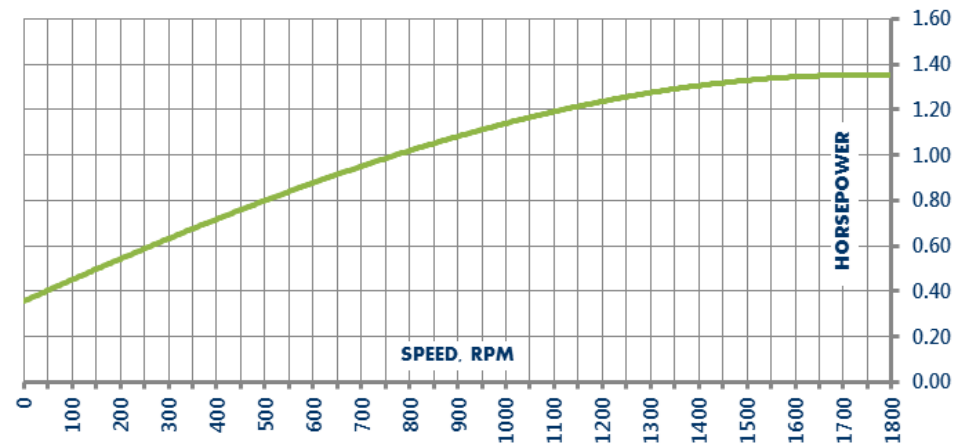
74 Pounds



### Note:

This clutch has a designated input and output shaft. Thermal-Horsepower ratings are only valid if the clutch is oriented in this manner.

### CONTINUOUS THERMAL HORSEPOWER

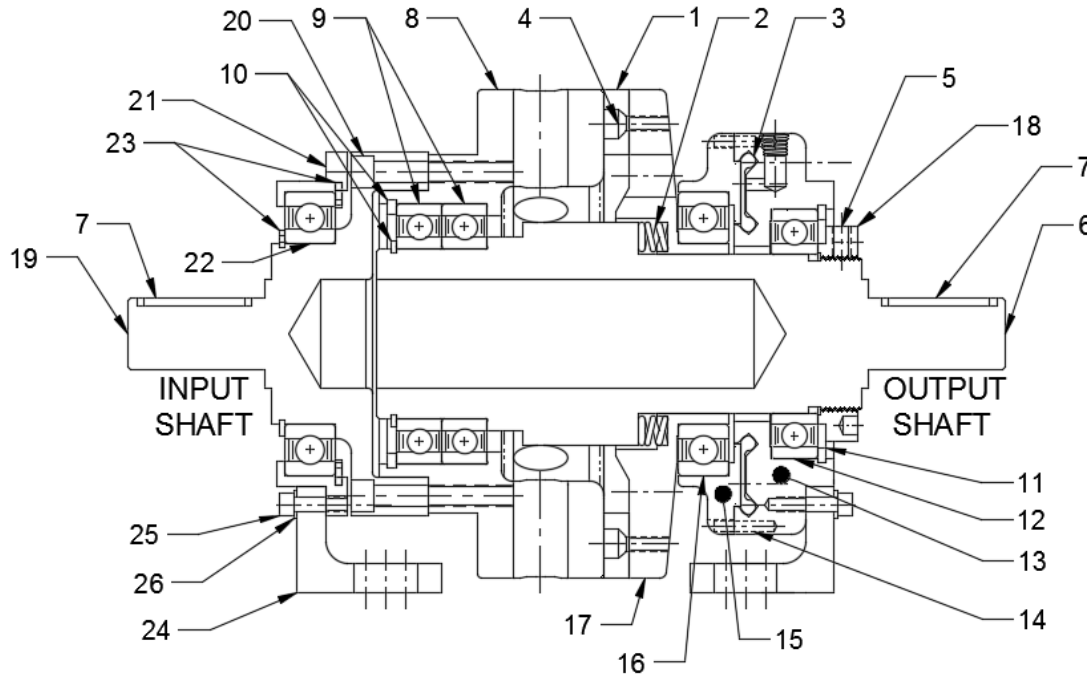


1580 Lake Street  
 Elmira, NY 14901 USA  
 859-291-0849  
 machiii.com

engineering@machiii.com

# 98FM

## Parts Diagram



REF#	DESCRIPTION & PARTS INCLUDED	QUANTITY	KIT NUMBER
	<b>REPAIR KIT</b>		<b>98FM-LOCO-RPRK</b>
1	Friction Disc	1	
2	Coil Spring	6	
3	Diaphragm	1	
4	Screw	6	
5	Nylon Point Set Screw	1	
	<b>DRIVE HUB KIT</b>		<b>98FM-HUBK</b>
6	Drive Hub	1	
7	Key Stock	1	
	<b>SLEEVE KIT</b>		<b>98PI-SLVK</b>
8	Sleeve	1	
9	Bearing	2	
10	Retainer Ring	2	
	<b>CYLINDER KIT</b>		<b>98FM-CYLK</b>
11	Retainer Ring	1	
12	Bearing	1	
13	Cylinder	1	
14	Pin	2	
	<b>PISTON KIT</b>		<b>98PI-PSTK</b>
15	Piston	1	
16	Bearing	1	
17	Drive Disc	1	
	<b>FACING KIT</b>		<b>98FM-LOCO-FCGK</b>
1	Friction Disc	1	
4	Screw	6	
5	Nylon Point Set Screw	1	
	<b>NUT KIT</b>		<b>98PI-NUTK</b>
18	Nut	1	
5	Nylon Point Set Screw	1	
	<b>COUPLING KIT</b>		<b>98FM-CPLK</b>
19	Coupling	1	
20	Screw	6	
7	Key Stock	1	
	<b>ADAPTER KIT</b>		<b>98FM-ADPK</b>
21	Adapter	1	
22	Bearing	1	
23	Retainer Ring	2	
	<b>BRACKET KIT</b>		<b>98FM-BRKK</b>
24	Bracket	2	
25	Screw	8	
26	Lock Washer	8	

### PARTS KITS

The *Repair Kit* contains common wear items for this product. Users are encouraged to stock one or more repair kits considering the number of units installed and the potential downtime if machinery on which the unit is installed is critical equipment. To obtain current pricing and lead time for parts kits, contact customer service.

[orders@machiii.com](mailto:orders@machiii.com)

### ADDITIONAL PRODUCT INFORMATION

For illustrated guides showing how Mach III products work, selection guidelines, product manuals, and installation and use recommendations:

<https://machiii.com/resources/how-our-products-work>

For information about how to order, return policy and warranty information:

<https://machiii.com/resources/how-to-order>



859-291-0849

[machiii.com](http://machiii.com)

[engineering@machiii.com](mailto:engineering@machiii.com)