

98FM-ULOW

Tension Control Clutch

SensiFlex® Foot Mount



Engagement/Disengagement

Air/Spring

Facing Type

Ultra-Low Coefficient

Torque @ 80 PSI – Dynamic

668 Pound Inches

Minimum Engagement Pressure

4 - 5 PSI

Maximum Operating Pressure

80 PSI

Maximum RPM

1,550

Input/Output Shaft with Standard Keyway

1.250 Inches

Air Volume New

0.65 Cubic Inches

Air Volume Worn

2.77 Cubic Inches

Finish

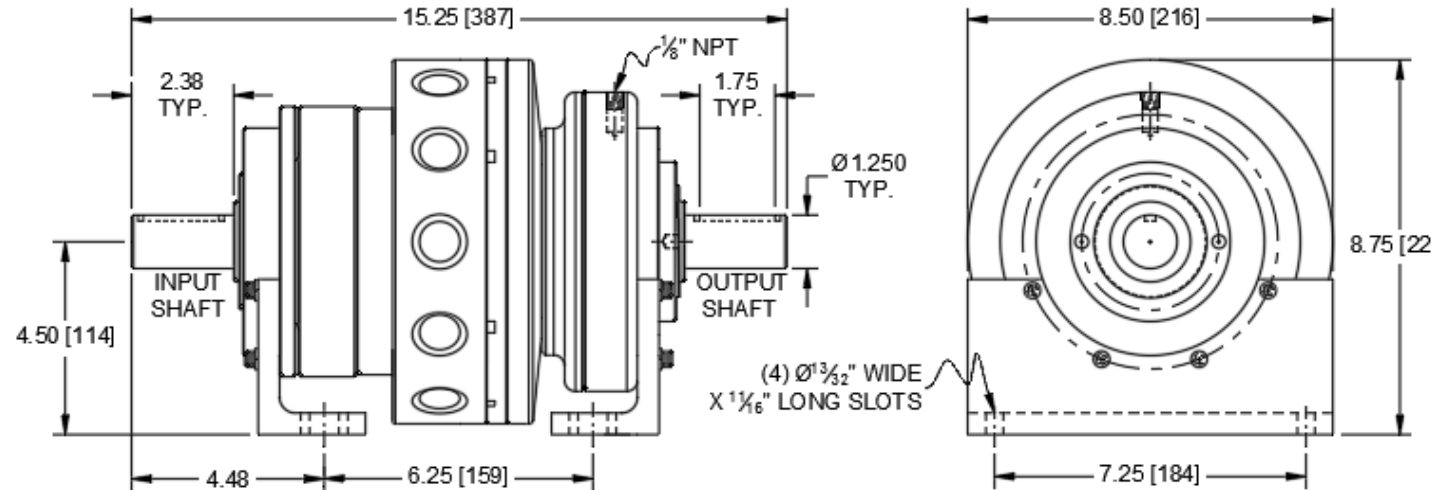
Iron

Open or Enclosed Construction

Open

Shipping Weight

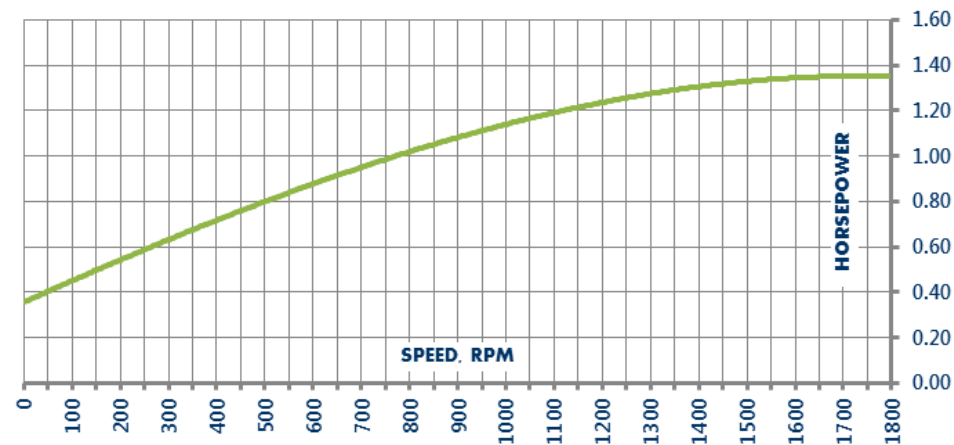
74 Pounds



Note:

This clutch has a designated input and output shaft. Thermal-Horsepower ratings are only valid if the clutch is oriented in this manner.

CONTINUOUS THERMAL HORSEPOWER

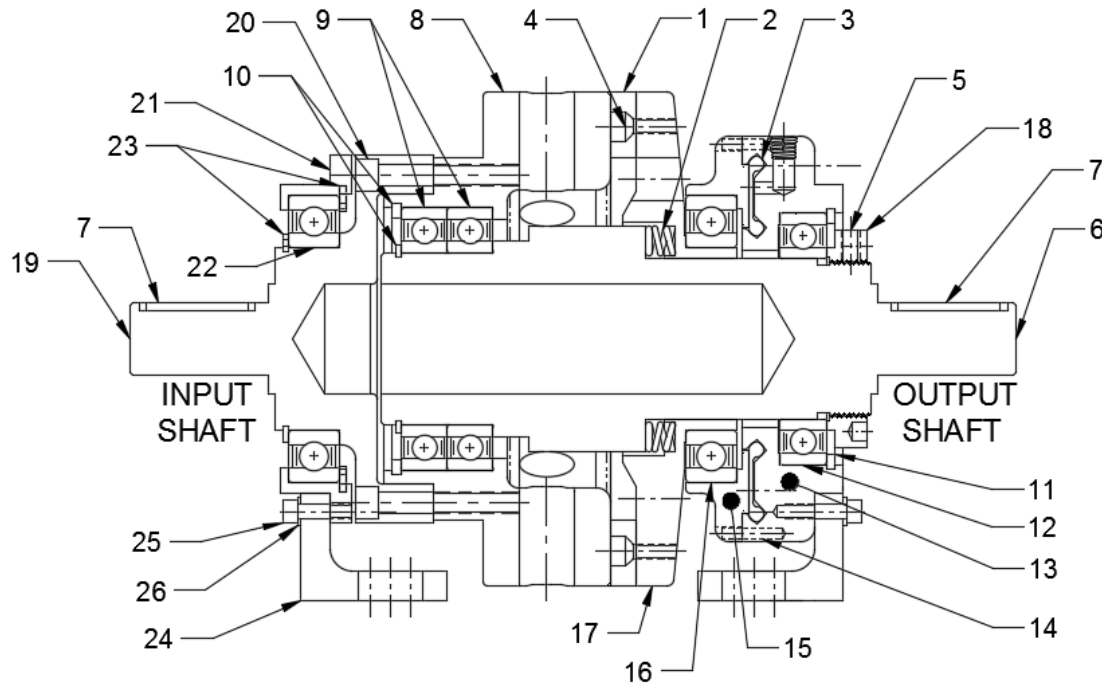


101 Cummings Drive
Walton, KY 41094 USA
859-291-0849
machiii.com

engineering@machiii.com

98FM-ULOW

Parts Diagram



REF#	DESCRIPTION & PARTS INCLUDED	QUANTITY	KIT NUMBER
	REPAIR KIT		98FM-ULOW-RPRK
1	Friction Disc	1	
2	Coil Spring	6	
3	Diaphragm	1	
4	Screw	6	
5	Nylon Point Set Screw	1	
	DRIVE HUB KIT		98FM-HUBK
6	Drive Hub	1	
7	Key Stock	1	
	SLEEVE KIT		98PI-SLVK
8	Sleeve	1	
9	Bearing	2	
10	Retainer Ring	2	
	CYLINDER KIT		98FM-CYLK
11	Retainer Ring	1	
12	Bearing	1	
13	Cylinder	1	
14	Pin	2	
	PISTON KIT		98PI-PSTK
15	Piston	1	
16	Bearing	1	
17	Drive Disc	1	
	FACING KIT		98FM-ULOW-FCGK
1	Friction Disc	1	
4	Screw	6	
5	Nylon Point Set Screw	1	
	NUT KIT		98PI-NUTK
18	Nut	1	
5	Nylon Point Set Screw	1	
	COUPLING KIT		98FM-CPLK
19	Coupling	1	
20	Screw	6	
7	Key Stock	1	
	ADAPTER KIT		98FM-ADPK
21	Adapter	1	
22	Bearing	1	
23	Retainer Ring	2	
	BRACKET KIT		98FM-BRKK
24	Bracket	2	
25	Screw	8	
26	Lock Washer	8	

PARTS KITS

The *Repair Kit* contains common wear items for this product. Users are encouraged to stock one or more repair kits considering the number of units installed and the potential downtime if machinery on which the unit is installed is critical equipment. To obtain current pricing and lead time for parts kits, contact customer service.

orders@machiii.com

ADDITIONAL PRODUCT INFORMATION

For illustrated guides showing how Mach III products work, selection guidelines, product manuals, and installation and use recommendations:

<https://machiii.com/resources/how-our-products-work>

For information about how to order, return policy and warranty information:

<https://machiii.com/resources/how-to-order>



859-291-0849

machiii.com

engineering@machiii.com