

58PI

Tension Control Clutch

SensiFlex® Pilot Input



Engagement/Disengagement

Air/Spring

Facing Type

Low Coefficient

Torque @ 80 PSI – Dynamic

222 Pound Inches

Minimum Engagement Pressure

3 - 4 PSI

Maximum Operating Pressure

80 PSI

Maximum RPM

1,750

Bore Range with Standard Keyway

0.500 (13) to 1.000 (24) Inches (mm)

Air Volume New

0.22 Cubic Inches

Air Volume Worn

1.17 Cubic Inches

Finish

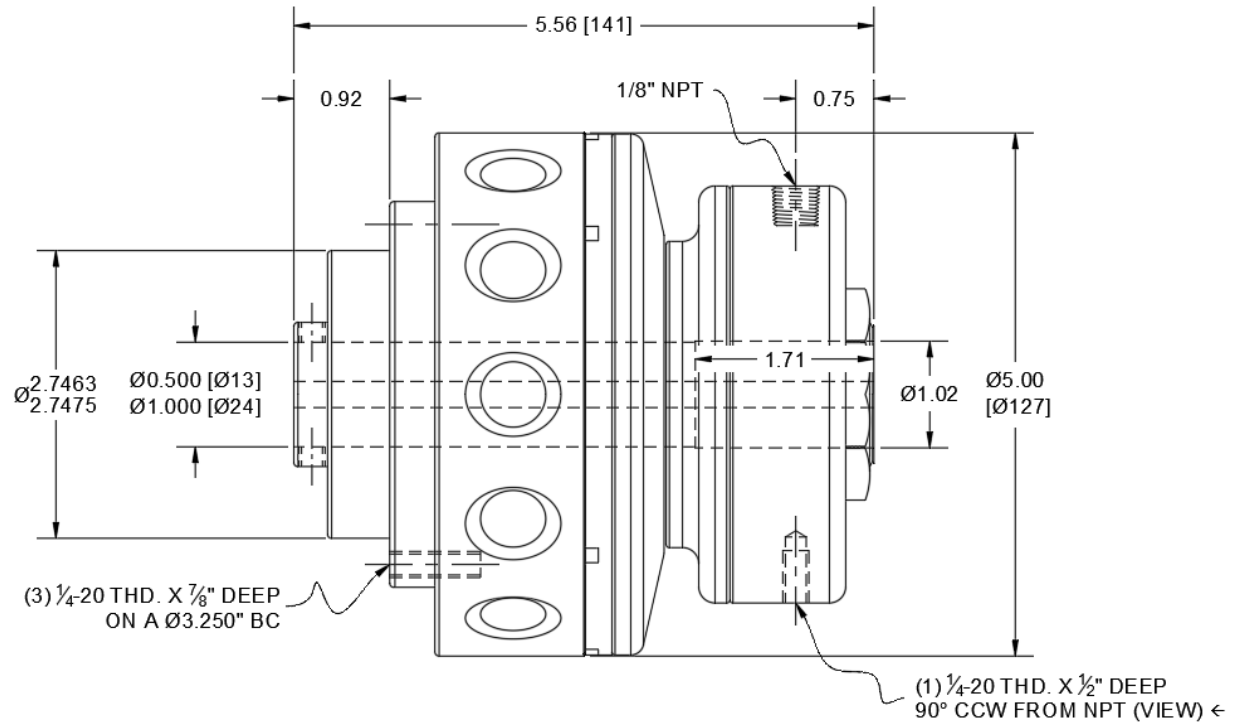
Iron

Open or Enclosed Construction

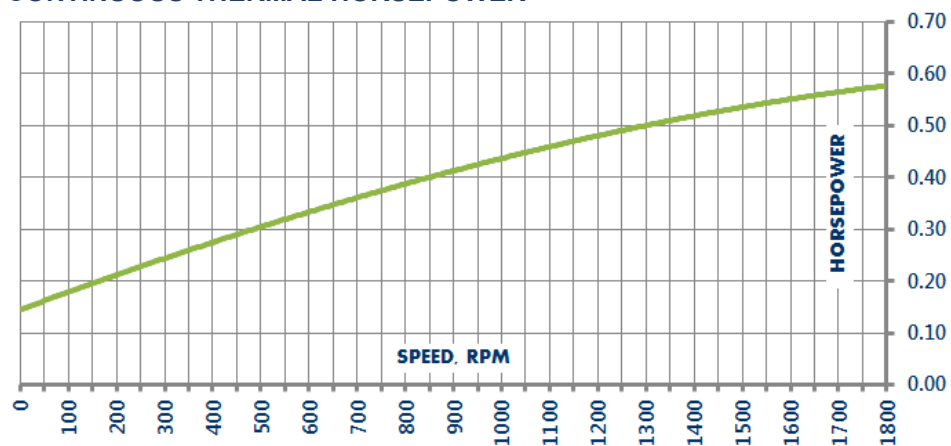
Open

Shipping Weight

12 Pounds



CONTINUOUS THERMAL HORSEPOWER

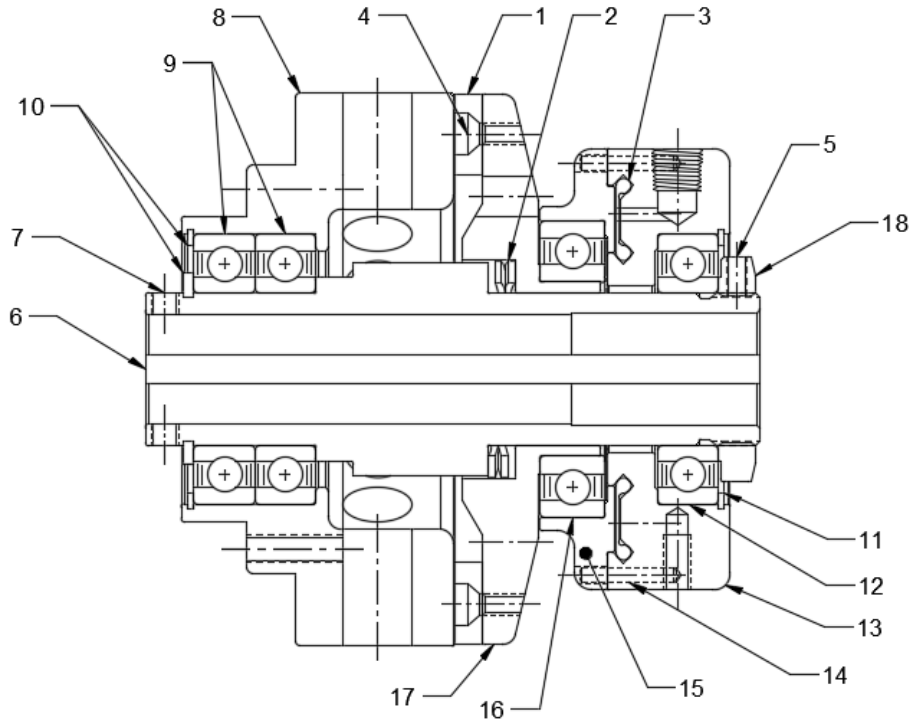


101 Cummings Drive
Walton, KY 41094 USA
859-291-0849
machiii.com

engineering@machiii.com

58PI

Parts Diagram



REF#	DESCRIPTION & PARTS INCLUDED	QUANTITY	KIT NUMBER
REPAIR KIT			58PI-LOCO-RPRK
1	Friction Disc	1	
2	Wave Spring	1	
3	Diaphragm	1	
4	Screw	6	
5	Nylon Point Set Screw	1	
DRIVE HUB KIT			58PI-HUBK
6	Drive Hub	1	<i>Specify Bore Size When Ordering</i>
7	Set Screw	2	
SLEEVE KIT			58PI-SLVK
8	Sleeve	1	
9	Bearing	2	
10	Retainer Ring	2	
CYLINDER KIT			58PI-CYLK
11	Retainer Ring	1	
12	Bearing	1	
13	Cylinder	1	
14	Pin	2	
PISTON KIT			58PI-PSTK
15	Piston	1	
16	Bearing	1	
17	Drive Disc	1	
FACING KIT			58PI-LOCO-FCGK
1	Friction Disc	1	
4	Screw	6	
5	Nylon Point Set Screw	1	
NUT KIT			58PI-NUTK
18	Nut	1	
5	Nylon Point Set Screw	1	

PARTS KITS

The *Repair Kit* contains common wear items for this product. Users are encouraged to stock one or more repair kits considering the number of units installed and the potential downtime if machinery on which the unit is installed is critical equipment. To obtain current pricing and lead time for parts kits, contact customer service.

orders@machiii.com

ADDITIONAL PRODUCT INFORMATION

For illustrated guides showing how Mach III products work, selection guidelines, product manuals, and installation and use recommendations:

<https://machiii.com/resources/how-our-products-work>

For information about how to order, return policy and warranty information:

<https://machiii.com/resources/how-to-order>



859-291-0849

machiii.com

engineering@machiii.com