

# 58PI-ULOW

## Tension Control Clutch

SensiFlex® Pilot Input



### Engagement/Disengagement

Air/Spring

### Facing Type

Ultra-Low Coefficient

### Torque @ 80 PSI – Dynamic

122 Pound Inches

### Minimum Engagement Pressure

3 - 4 PSI

### Maximum Operating Pressure

80 PSI

### Maximum RPM

1,750

### Bore Range with Standard Keyway

0.500 (13) to 1.000 (24) Inches (mm)

### Air Volume New

0.22 Cubic Inches

### Air Volume Worn

1.17 Cubic Inches

### Finish

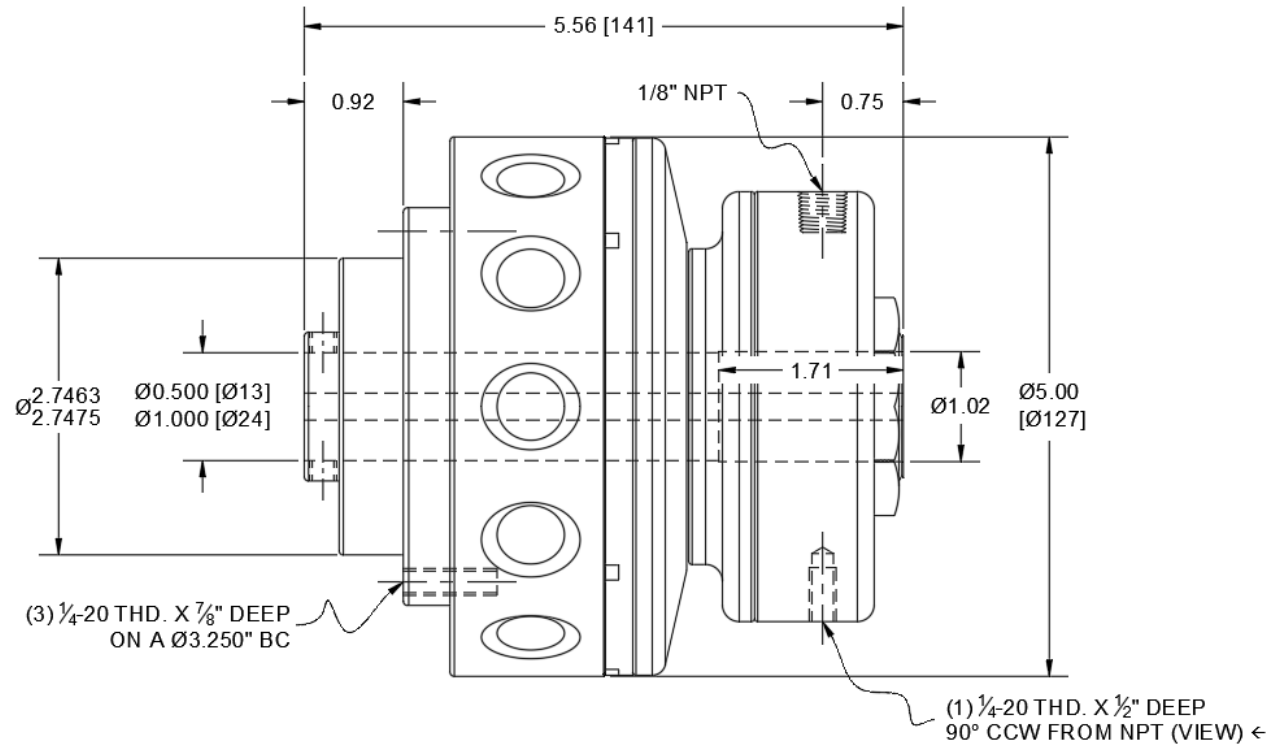
Iron

### Open or Enclosed Construction

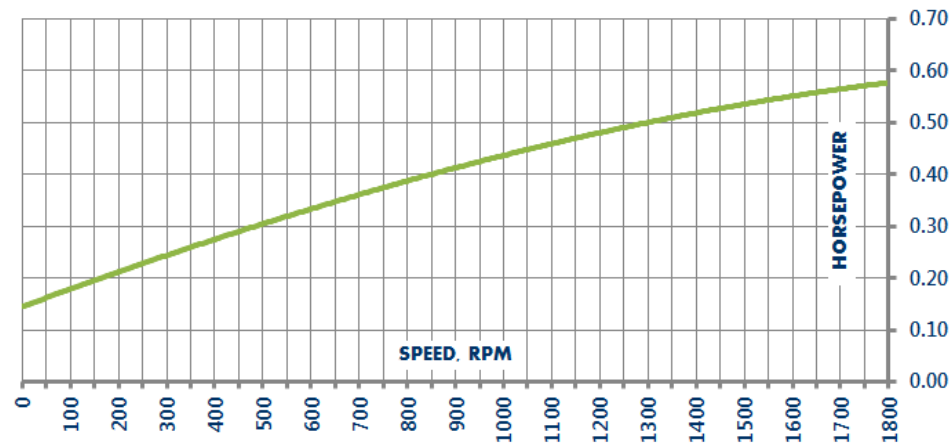
Open

### Shipping Weight

12 Pounds



### CONTINUOUS THERMAL HORSEPOWER

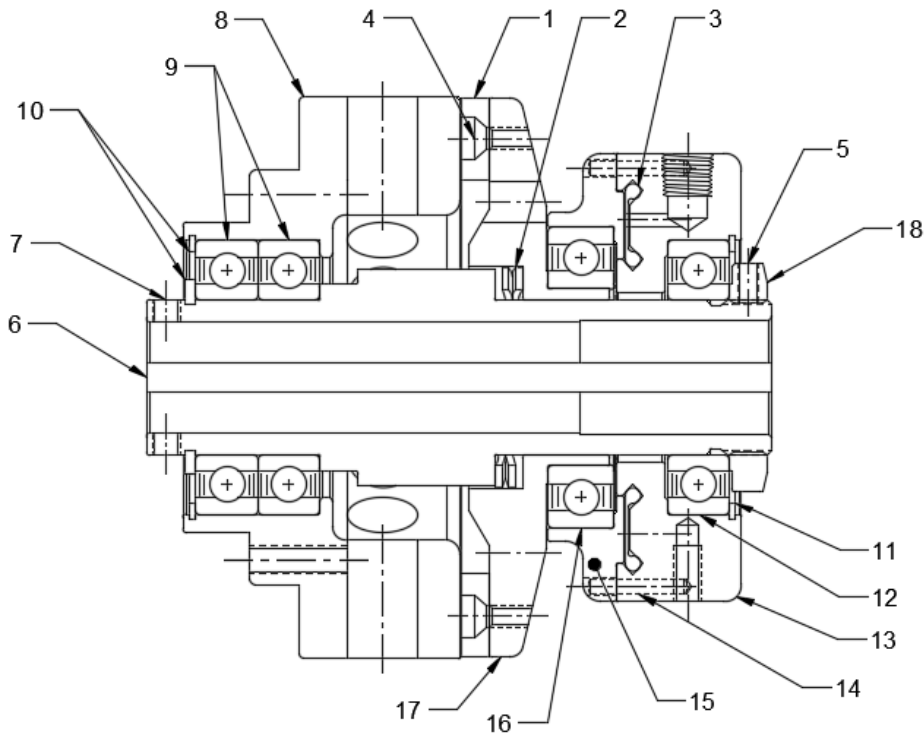


1580 Lake Street  
 Elmira, NY 14901 USA  
 859-291-0849  
 machiii.com

engineering@machiii.com

# 58PI-ULOW

## Parts Diagram



REF#	DESCRIPTION & PARTS INCLUDED	QUANTITY	KIT NUMBER
	<b>REPAIR KIT</b>		<b>58PI-ULOW-RPRK</b>
1	Friction Disc	1	
2	Wave Spring	1	
3	Diaphragm	1	
4	Screw	6	
5	Nylon Point Set Screw	1	
	<b>DRIVE HUB KIT</b>		<b>58PI-HUBK</b>
6	Drive Hub	1	<i>Specify Bore Size When Ordering</i>
7	Set Screw	2	
	<b>SLEEVE KIT</b>		<b>58PI-SLVK</b>
8	Sleeve	1	
9	Bearing	2	
10	Retainer Ring	2	
	<b>CYLINDER KIT</b>		<b>58PI-CYLK</b>
11	Retainer Ring	1	
12	Bearing	1	
13	Cylinder	1	
14	Pin	2	
	<b>PISTON KIT</b>		<b>58PI-PSTK</b>
15	Piston	1	
16	Bearing	1	
17	Drive Disc	1	
	<b>FACING KIT</b>		<b>58PI-ULOW-FCGK</b>
1	Friction Disc	1	
4	Screw	6	
5	Nylon Point Set Screw	1	
	<b>NUT KIT</b>		<b>58PI-NUTK</b>
18	Nut	1	
5	Nylon Point Set Screw	1	

### PARTS KITS

The *Repair Kit* contains common wear items for this product. Users are encouraged to stock one or more repair kits considering the number of units installed and the potential downtime if machinery on which the unit is installed is critical equipment. To obtain current pricing and lead time for parts kits, contact customer service.

[orders@machiii.com](mailto:orders@machiii.com)

### ADDITIONAL PRODUCT INFORMATION

For illustrated guides showing how Mach III products work, selection guidelines, product manuals, and installation and use recommendations:

<https://machiii.com/resources/how-our-products-work>

For information about how to order, return policy and warranty information:

<https://machiii.com/resources/how-to-order>



859-291-0849

[machiii.com](http://machiii.com)

[engineering@machiii.com](mailto:engineering@machiii.com)