

58BK-ULOW

Tension Control Brake

SensiFlex® Flange Mount



Engagement/Disengagement

Air/Spring

Facing Type

Ultra-Low Coefficient

Torque @ 80 PSI – Dynamic

225 Pound Inches

Minimum Engagement Pressure

5.5 - 6.5 PSI

Maximum Operating Pressure

80 PSI

Maximum RPM

1,750

Bore Range with Standard Keyway

0.625 (16) to 1.375 (38) Inches (mm)

Air Volume New

0.39 Cubic Inches

Air Volume Worn

2.62 Cubic Inches

Finish

Iron

Open or Enclosed Construction

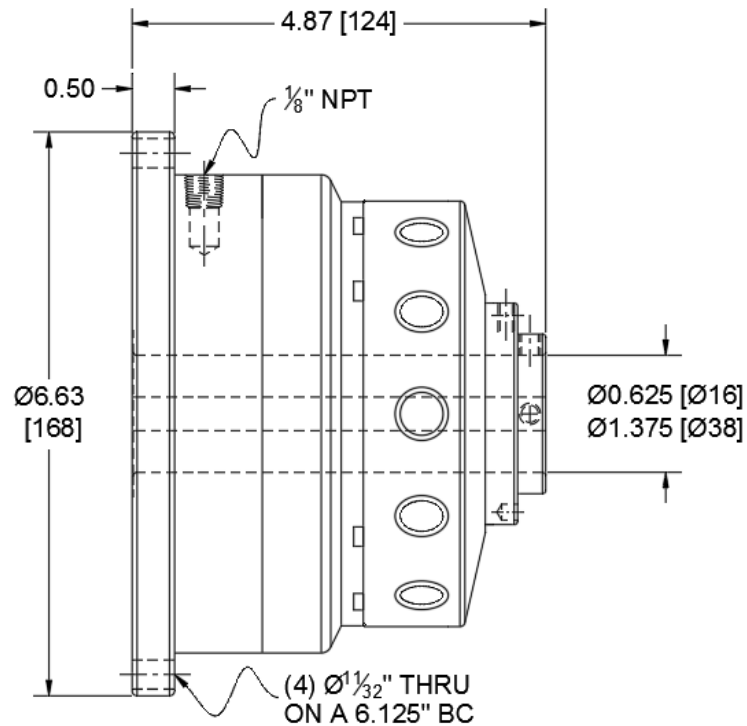
Open

Mounting Bolt Circle

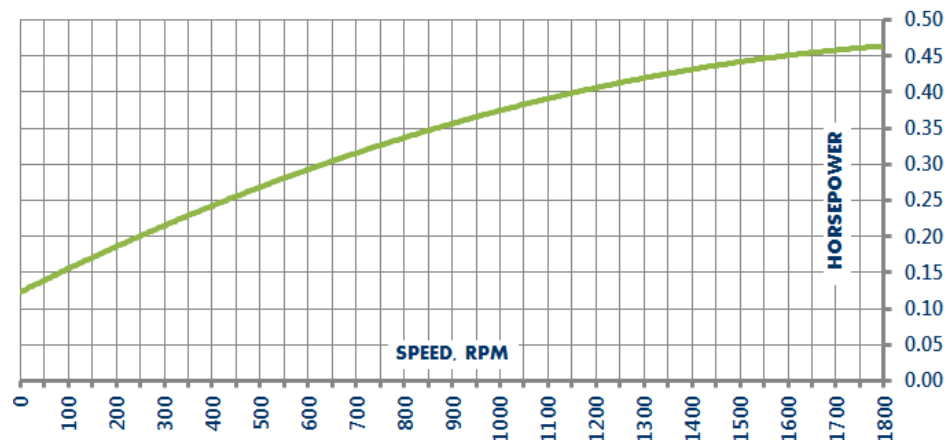
6.125 Inches

Shipping Weight

20 Pounds



CONTINUOUS THERMAL HORSEPOWER

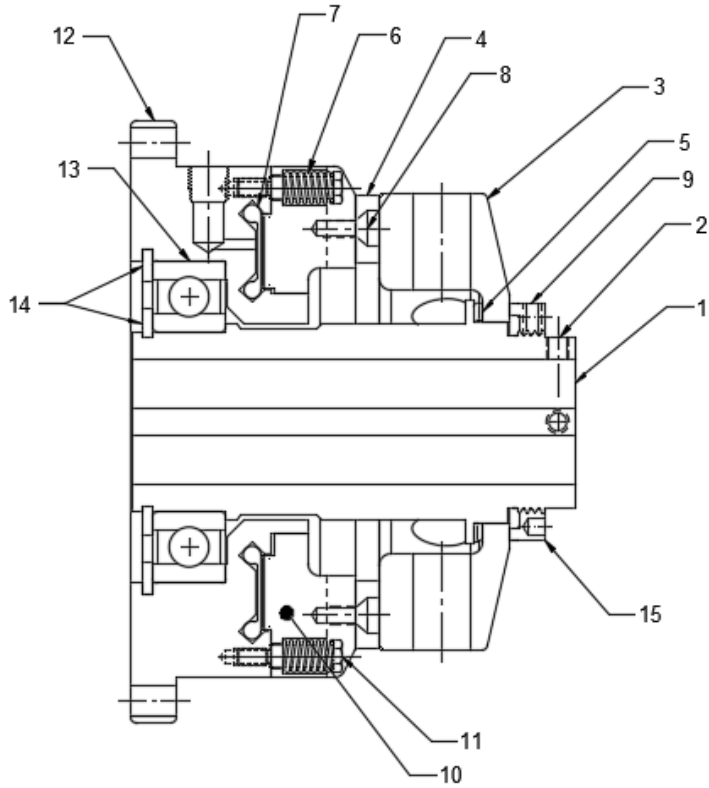


1580 Lake Street
 Elmira, NY 14901 USA
 859-291-0849
 machiii.com

engineering@machiii.com

58BK-ULOW

Parts Diagram



REF#	DESCRIPTION & PARTS INCLUDED	QUANTITY	KIT NUMBER
DRIVE HUB KIT			58BK-HUBK
1	Drive Hub	1	<i>Specify Bore Size When Ordering</i>
2	Set Screw	2	
DRIVE DISC KIT			58BK-DRDK
3	Drive Disc	1	
FACING KIT			58BK-ULOW-FCGK
4	Friction Disc	1	
8	Screw	6	
9	Nylon Point Set Screw	1	
REPAIR KIT			58BK-ULOW-RPRK
4	Friction Disc	1	
5	Wave Spring	1	
6	Coil Spring	6	
7	Diaphragm	1	
8	Screw	6	
9	Nylon Point Set Screw	1	
11	Stud	6	
PISTON KIT			58BK-PSTK
10	Piston	1	
11	Stud	6	
CYLINDER KIT			58BK-CYLK
12	Cylinder	1	
13	Bearing	1	
14	Retainer Ring	2	
NUT KIT			580B-NUTK
15	Nut	1	
9	Nylon Point Set Screw	1	

PARTS KITS

The *Repair Kit* contains common wear items for this product. Users are encouraged to stock one or more repair kits considering the number of units installed and the potential downtime if machinery on which the unit is installed is critical equipment. To obtain current pricing and lead time for parts kits, contact customer service.

orders@machiii.com

ADDITIONAL PRODUCT INFORMATION

For illustrated guides showing how Mach III products work, selection guidelines, product manuals, and installation and use recommendations:

<https://machiii.com/resources/how-our-products-work>

For information about how to order, return policy and warranty information:

<https://machiii.com/resources/how-to-order>



859-291-0849

machiii.com

engineering@machiii.com