

38FM

Tension Control Clutch

SensiFlex® Foot Mount



Engagement/Disengagement

Air/Spring

Facing Type

Low Coefficient

Torque @ 80 PSI – Dynamic

66 Pound Inches

Minimum Engagement Pressure

5.5 – 6.5 PSI

Maximum Operating Pressure

80 PSI

Maximum RPM

1,750

Input/Output Shaft with Standard Keyway

0.500 Inches

Air Volume New

0.08 Cubic Inches

Air Volume Worn

0.43 Cubic Inches

Finish

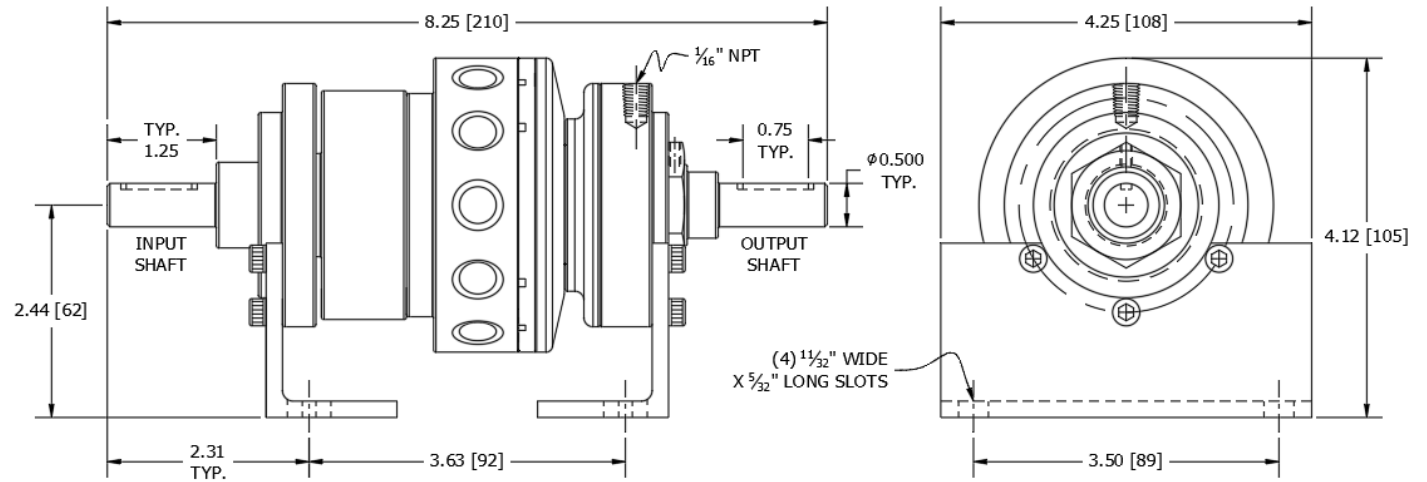
Iron

Open or Enclosed Construction

Open

Shipping Weight

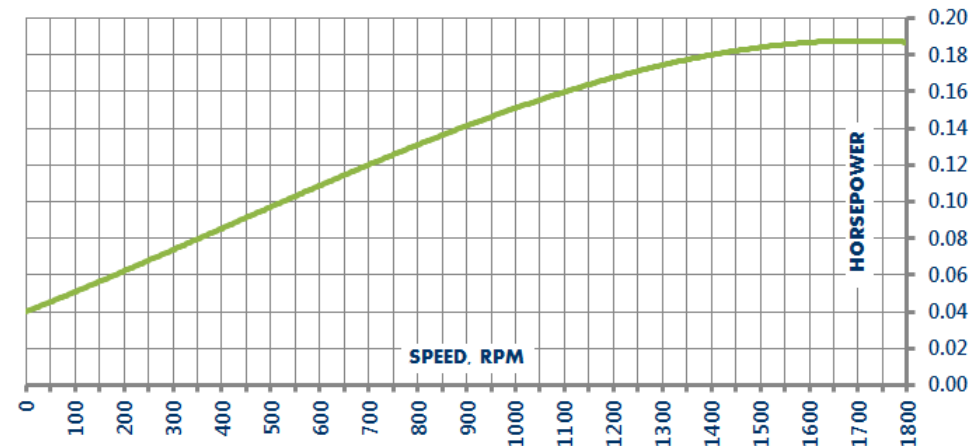
6 Pounds



Note:

This clutch has a designated input and output shaft. Thermal-Horsepower ratings are only valid if the clutch is oriented in this manner.

CONTINUOUS THERMAL HORSEPOWER

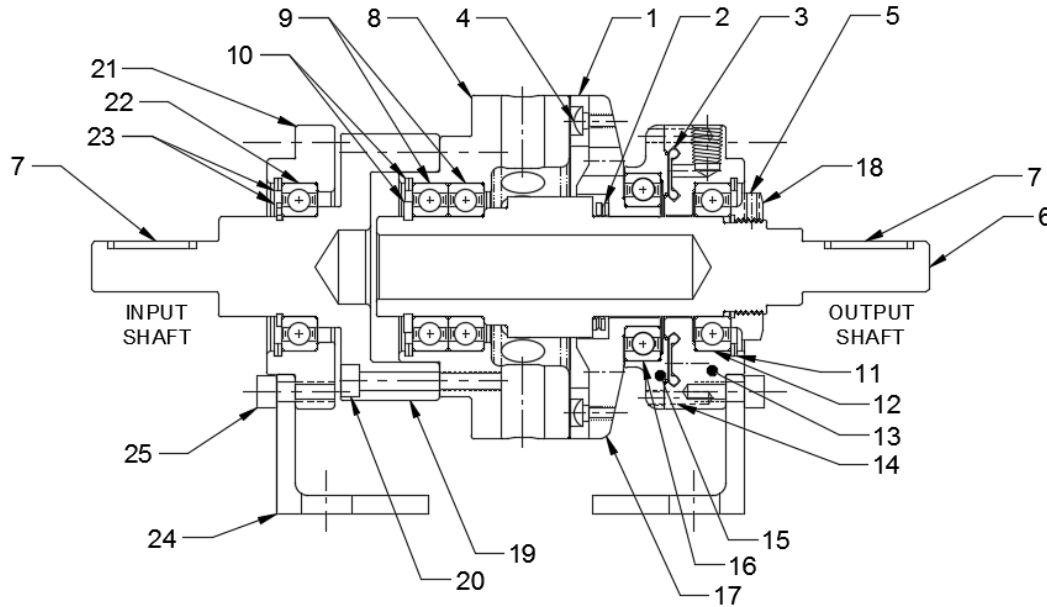


101 Cummings Drive
Walton, KY 41094 USA
859-291-0849
machiii.com

engineering@machiii.com

38FM

Parts Diagram



REF#	DESCRIPTION & PARTS INCLUDED	QUANTITY	KIT NUMBER
REPAIR KIT			
38FM-LOCO-RPRK			
1	Friction Disc	1	
2	Wave Spring	1	
3	Diaphragm	1	
4	Screw	3	
5	Nylon Point Set Screw	1	
DRIVE HUB KIT			
38FM-HUBK			
6	Drive Hub	1	
7	Key Stock	1	
SLEEVE KIT			
38PI-SLVK			
8	Sleeve	1	
9	Bearing	2	
10	Retainer Ring	2	
CYLINDER KIT			
38FM-CYLK			
11	Retainer Ring	1	
12	Bearing	1	
13	Cylinder	1	
14	Pin	2	
PISTON KIT			
38PI-PSTK			
15	Piston	1	
16	Bearing	1	
17	Drive Disc	1	
FACING KIT			
38FM-LOCO-FCGK			
1	Friction Disc	1	
4	Screw	3	
5	Nylon Point Set Screw	1	
NUT KIT			
38PI-NUTK			
18	Nut	1	
5	Nylon Point Set Screw	1	
COUPLING KIT			
38FM-CPLK			
19	Coupling	1	
20	Screw	3	
7	Key Stock	1	
ADAPTER KIT			
38FM-ADPK			
21	Adapter	1	
22	Bearing	1	
23	Retainer Ring	2	
BRACKET KIT			
38FM-BRKK			
24	Bracket	2	
25	Screw	6	

PARTS KITS

The *Repair Kit* contains common wear items for this product. Users are encouraged to stock one or more repair kits considering the number of units installed and the potential downtime if machinery on which the unit is installed is critical equipment. To obtain current pricing and lead time for parts kits, contact customer service.

orders@machiii.com

ADDITIONAL PRODUCT INFORMATION

For illustrated guides showing how Mach III products work, selection guidelines, product manuals, and installation and use recommendations:

<https://machiii.com/resources/how-our-products-work>

For information about how to order, return policy and warranty information:

<https://machiii.com/resources/how-to-order>



859-291-0849

machiii.com

engineering@machiii.com