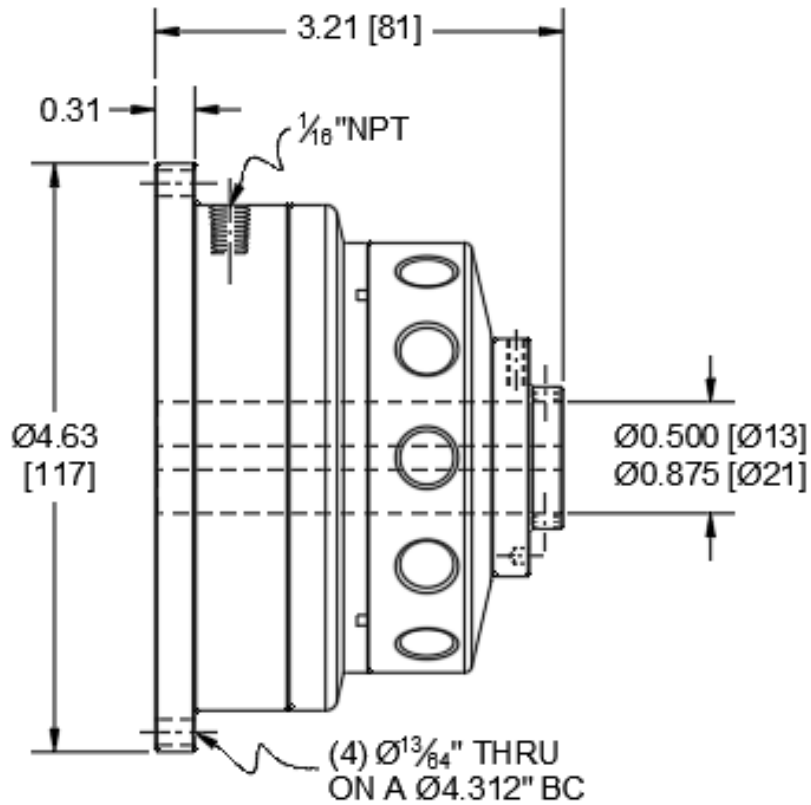


# 38BK-ULOW

## Tension Control Brake

SensiFlex® Flange Mount



### Engagement/Disengagement

Air/Spring

### Facing Type

Ultra-Low Coefficient

### Torque @ 80 PSI – Dynamic

81 Pound Inches

### Minimum Engagement Pressure

4 - 5 PSI

### Maximum Operating Pressure

80 PSI

### Maximum RPM

1,750

### Bore Range with Standard Keyway

0.500 (13) to 0.875 (21) Inches (mm)

### Air Volume New

0.22 Cubic Inches

### Air Volume Worn

0.32 Cubic Inches

### Finish

Iron

### Open or Enclosed Construction

Open

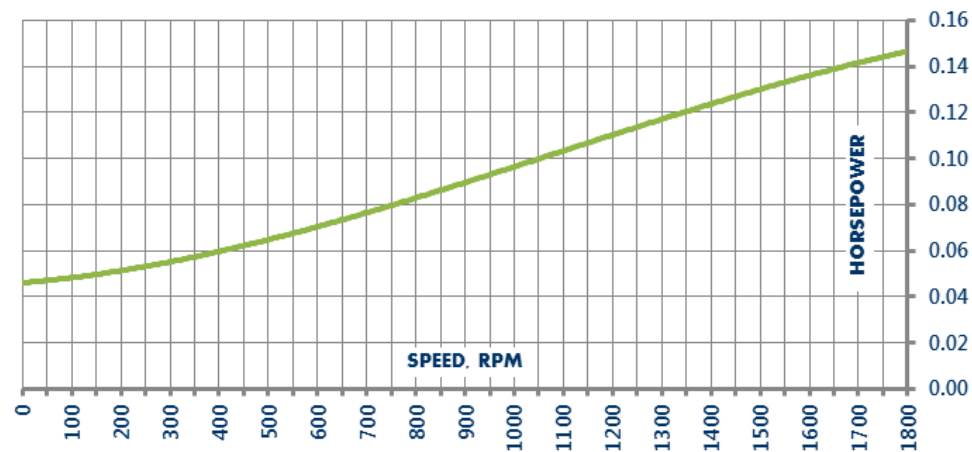
### Mounting Bolt Circle

4.312 Inches

### Shipping Weight

7 Pounds

### CONTINUOUS THERMAL HORSEPOWER

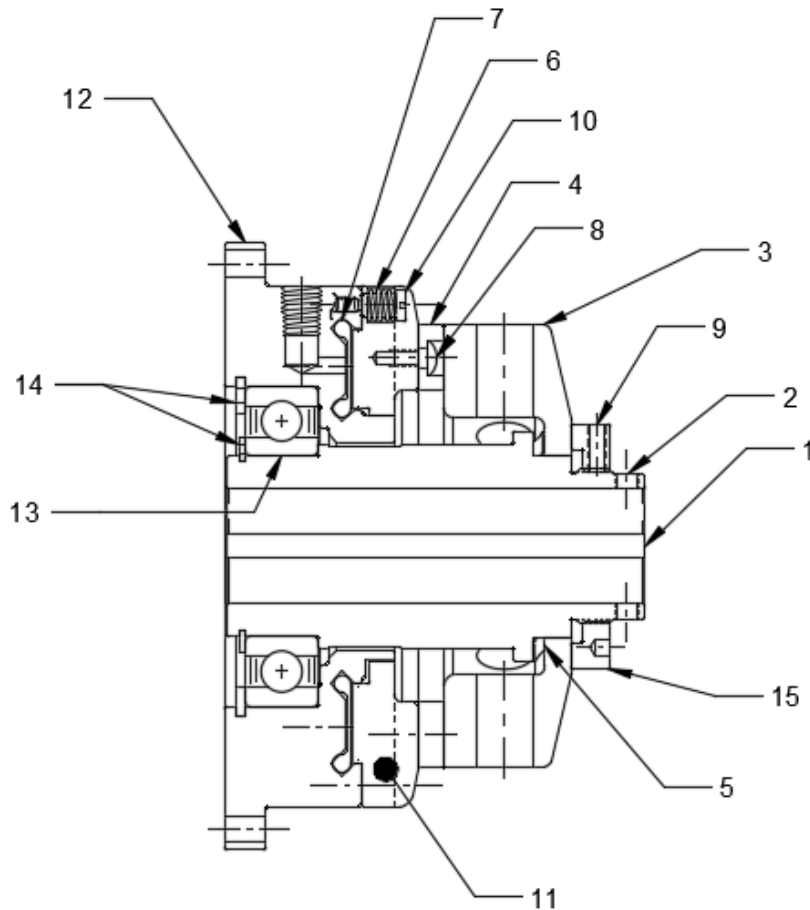


101 Cummings Drive  
Walton, KY 41094 USA  
859-291-0849  
machiii.com

engineering@machiii.com

# 38BK-ULOW

## Parts Diagram



| REF#                  | DESCRIPTION & PARTS INCLUDED | QUANTITY | KIT NUMBER                             |
|-----------------------|------------------------------|----------|--|
| <b>DRIVE HUB KIT</b>  |                              |          | <b>38BK-HUBK</b>                       |
| 1                     | Drive Hub                    | 1        | <i>Specify Bore Size When Ordering</i> |
| 2                     | Set Screw                    | 2        |  |
| <b>DRIVE DISC KIT</b> |                              |          | <b>38BK-DRDK</b>                       |
| 3                     | Drive Disc                   | 1        |  |
| <b>FACING KIT</b>     |                              |          | <b>38BK-ULOW-FCGK</b>                  |
| 4                     | Friction Disc                | 1        |  |
| 8                     | Screw                        | 3        |  |
| 9                     | Nylon Point Set Screw        | 1        |  |
| <b>REPAIR KIT</b>     |                              |          | <b>38BK-ULOW-RPRK</b>                  |
| 4                     | Friction Disc                | 1        |  |
| 5                     | Wave Spring                  | 1        |  |
| 6                     | Coil Spring                  | 3        |  |
| 7                     | Diaphragm                    | 1        |  |
| 8                     | Screw                        | 3        |  |
| 9                     | Nylon Point Set Screw        | 1        |  |
| <b>PISTON KIT</b>     |                              |          | <b>38BK-PSTK</b>                       |
| 10                    | Piston                       | 1        |  |
| 11                    | Stud                         | 3        |  |
| <b>CYLINDER KIT</b>   |                              |          | <b>38BK-CYLK</b>                       |
| 12                    | Cylinder                     | 1        |  |
| 13                    | Bearing                      | 1        |  |
| 14                    | Retainer Ring                | 2        |  |
| <b>NUT KIT</b>        |                              |          | <b>38BK-NUTK</b>                       |
| 15                    | Nut                          | 1        |  |
| 9                     | Nylon Point Set Screw        | 1        |  |

### PARTS KITS

The *Repair Kit* contains common wear items for this product. Users are encouraged to stock one or more repair kits considering the number of units installed and the potential downtime if machinery on which the unit is installed is critical equipment. To obtain current pricing and lead time for parts kits, contact customer service.

[orders@machiii.com](mailto:orders@machiii.com)

### ADDITIONAL PRODUCT INFORMATION

For illustrated guides showing how Mach III products work, selection guidelines, product manuals, and installation and use recommendations:

<https://machiii.com/resources/how-our-products-work>

For information about how to order, return policy and warranty information:

<https://machiii.com/resources/how-to-order>



859-291-0849

[machiii.com](http://machiii.com)

[engineering@machiii.com](mailto:engineering@machiii.com)