



## D8C2K-002

Custom Servo Motor Brake

NOT suitable for pulley output

### Engagement/Disengagement

Spring/Air

### Facing Type

High Coefficient

### Torque – Dynamic

2,409 Pound Inches

### Minimum Disengagement Pressure

59 PSI

### Maximum Operating Pressure

90 PSI

### Maximum RPM

1,650

### Input Bore/Output Shaft

55mm [2.165 Inches]

### Air Volume New

0.71 Cubic Inches

### Air Volume Worn

5.93 Cubic Inches

### Finish

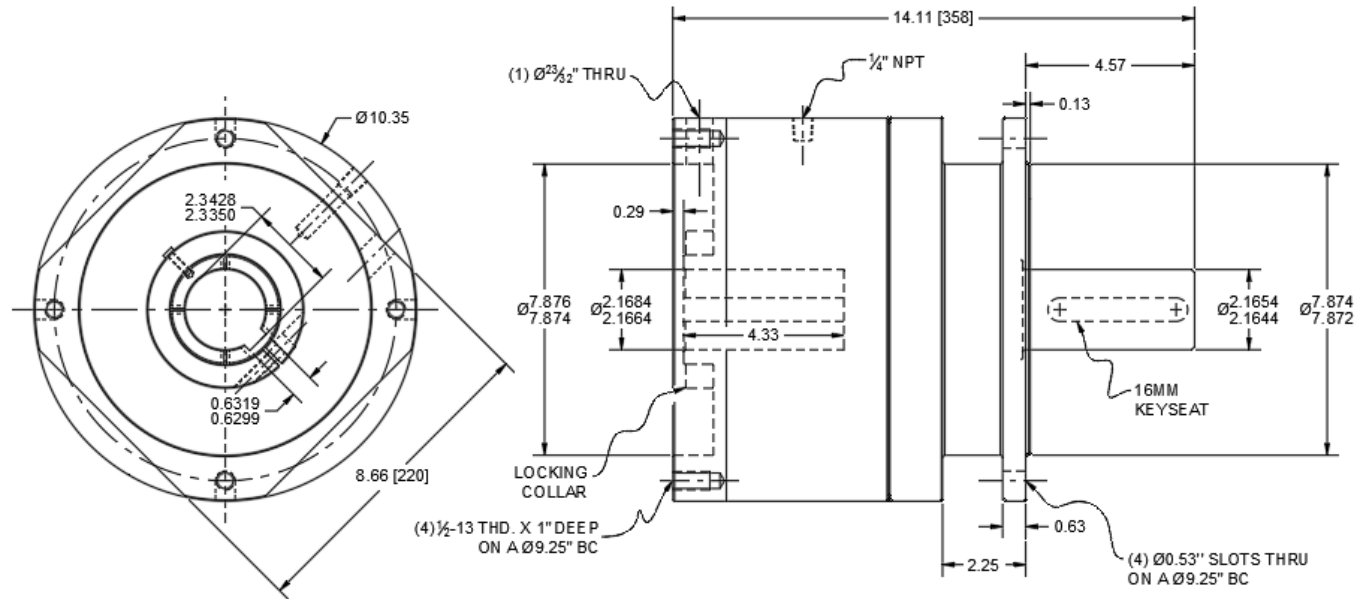
Aluminum

### Open or Enclosed Construction

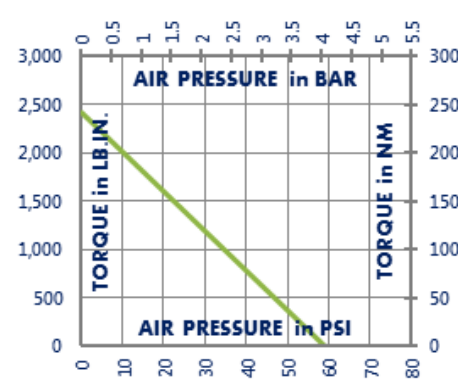
Enclosed

### Shipping Weight

75 Pounds



### TORQUE vs. SPRING PRESSURE



### NEW vs. BURNISHED TORQUE

New clutch or brake torque is approximately 40% less than rated design torque until the friction and drive discs are worn in (lapped, burnished). The length of time for wear-in to occur varies by application.

When calculating required torque always use a service factor of 1.5 to 2. It is not recommended to select a product for use at its maximum rated torque for continuous duty.

### PRODUCT SELECTION

Torque capacity is only one factor to consider when making a product selection. Insure that you will have right product for the job by contacting our engineering department for application review and selection assistance.



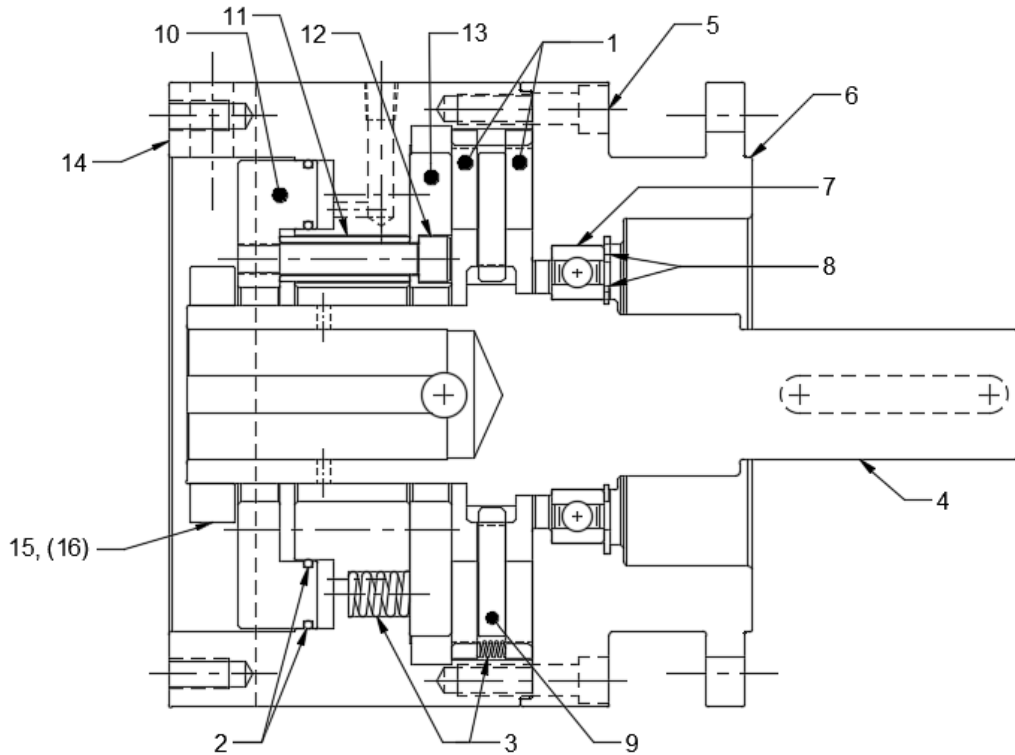
859-291-0849

engineering@machiii.com

www.machiii.com

# D8C2K-002

## Parts Diagram



REF#	DESCRIPTION & PARTS INCLUDED	QUANTITY	KIT NUMBER
	<b>REPAIR KIT</b>		<b>D8C2K-002-RPRK</b>
1	Friction Disc	2	
2	O-Ring	2	
3	Coil Spring	11	
4	<b>DRIVE HUB</b>		<b>D8C2K-002-P001</b>
	<b>TOP PLATE KIT</b>		<b>D8C2K-002-TPLK</b>
5	Screw	4	
6	Top Plate	1	
7	Bearing	1	
8	Retainer Ring	2	
9	<b>DRIVE DISC</b>	1	<b>D8C2K-002-P005</b>
	<b>PISTON KIT</b>		<b>D8C2K-002-PSTK</b>
10	Piston	1	
11	Spacer	3	
12	Screw	3	
13	Pressure Plate	1	
14	<b>CYLINDER</b>	1	<b>D8C2K-002-P003</b>
	<b>CLAMP COLLAR KIT</b>		<b>D8C2K-002-CLCK</b>
15	Clamp Collar	1	
16	Screw	1	

### PARTS KITS

The *Repair Kit* contains common wear items for this product. Users are encouraged to stock one or more repair kits considering the number of units installed and the potential downtime if machinery on which the unit is installed is critical equipment. To obtain current pricing and lead time for parts kits, contact customer service.

[orders@machiii.com](mailto:orders@machiii.com)

### ADDITIONAL PRODUCT INFORMATION

Click on the links below or copy and paste into your web browser.

To view the Installation & Maintenance Manual for this product:  
<http://www.machiii.com/PDF/Product-Manuals/BRAKES NEMA SPRING MANUAL.pdf>

For information about the application and use of this and other Mach III products:  
<http://machiii.com/Application/Default.asp>



859-291-0849

[engineering@machiii.com](mailto:engineering@machiii.com)

[www.machiii.com](http://www.machiii.com)