

Tension Control Clutch

SensiFlex® Pilot Input



58PI

Engagement/Disengagement

Air/Spring

Facing Type

Low Coefficient

Torque @ 80 PSI – Dynamic

222 Pound Inches

Minimum Engagement Pressure

3 - 4 PSI

Maximum Operating Pressure

80 PSI

Maximum RPM

1,750

Bore Range with Standard Keyway

0.500 (13) to 1.000 (24) Inches (mm)

Air Volume New

0.22 Cubic Inches

Air Volume Worn

1.17 Cubic Inches

Finish

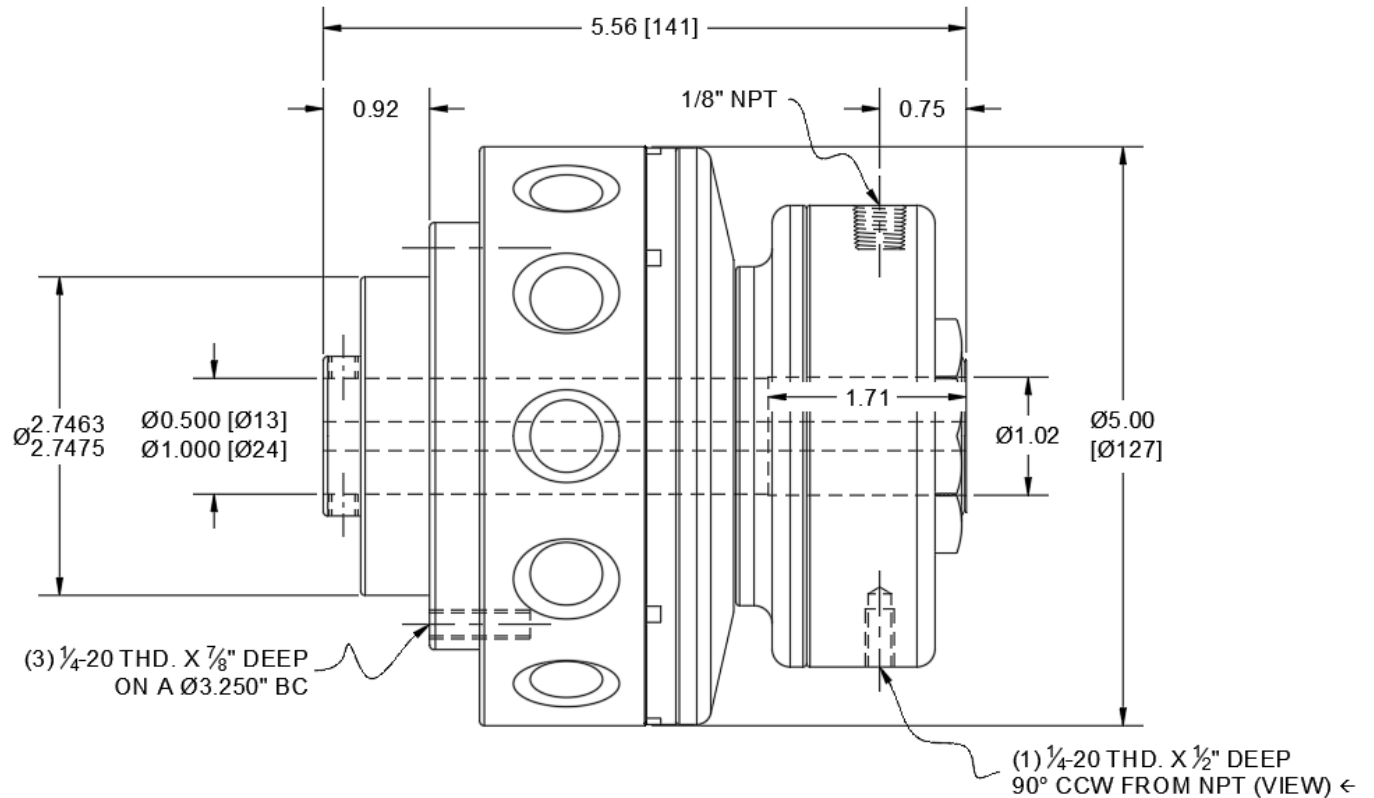
Iron

Open or Enclosed Construction

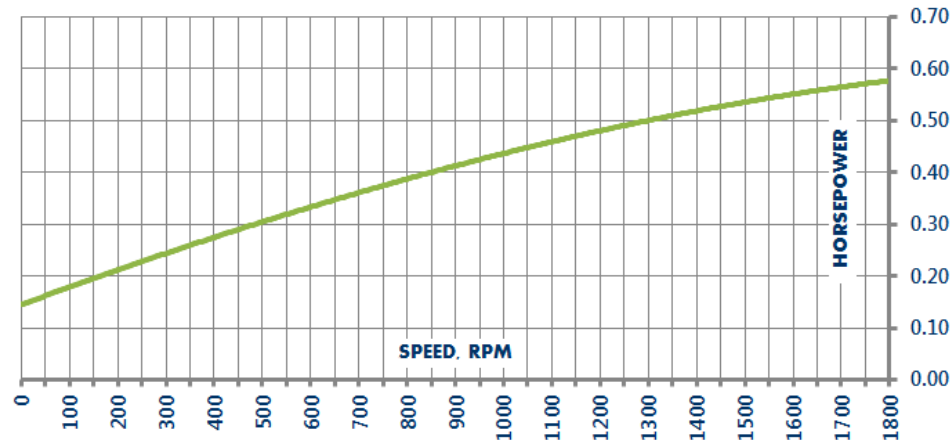
Open

Shipping Weight

12 Pounds



CONTINUOUS THERMAL HORSEPOWER



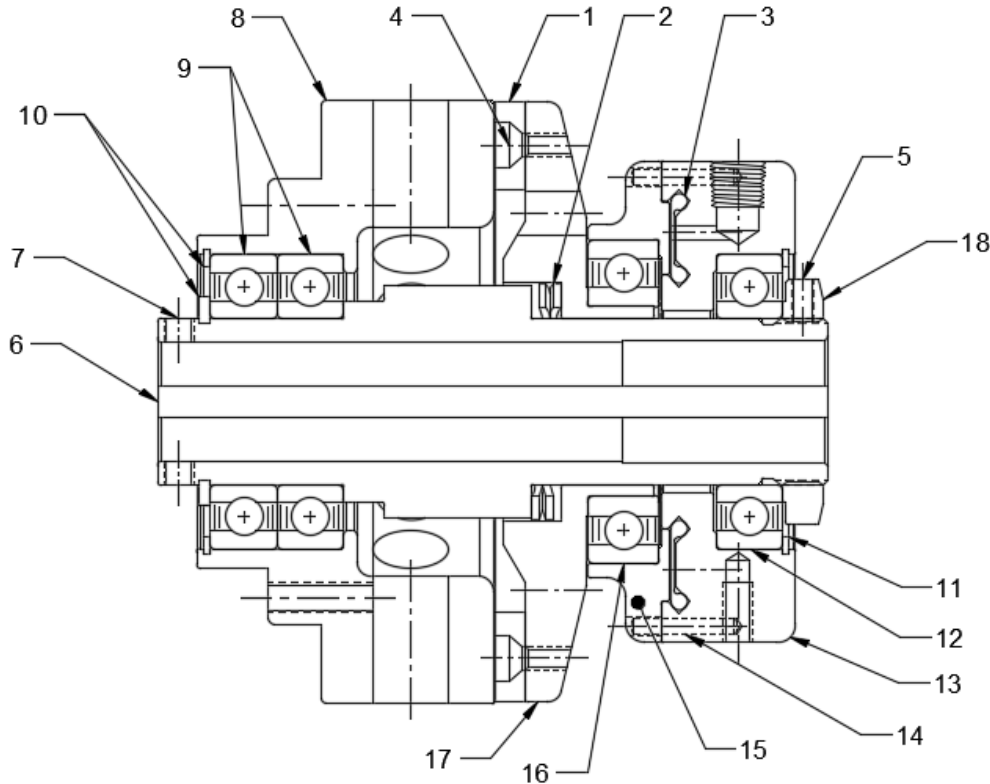
859-291-0849

engineering@machiii.com

www.machiii.com

58PI

Parts Diagram



| REF# | DESCRIPTION & PARTS INCLUDED | QUANTITY | KIT NUMBER |
|------|------------------------------|----------|--|
| | REPAIR KIT | | 58PI-LOCO-RPRK |
| 1 | Friction Disc | 1 | |
| 2 | Wave Spring | 1 | |
| 3 | Diaphragm | 1 | |
| 4 | Screw | 6 | |
| 5 | Nylon Point Set Screw | 1 | |
| | DRIVE HUB KIT | | 58PI-HUBK |
| 6 | Drive Hub | 1 | <i>Specify Bore Size When Ordering</i> |
| 7 | Set Screw | 2 | |
| | SLEEVE KIT | | 58PI-SLVK |
| 8 | Sleeve | 1 | |
| 9 | Bearing | 2 | |
| 10 | Retainer Ring | 2 | |
| | CYLINDER KIT | | 58PI-CYLK |
| 11 | Retainer Ring | 1 | |
| 12 | Bearing | 1 | |
| 13 | Cylinder | 1 | |
| 14 | Pin | 2 | |
| | PISTON KIT | | 58PI-PSTK |
| 15 | Piston | 1 | |
| 16 | Bearing | 1 | |
| 17 | Drive Disc | 1 | |
| | FACING KIT | | 58PI-LOCO-FCGK |
| 1 | Friction Disc | 1 | |
| 4 | Screw | 6 | |
| 5 | Nylon Point Set Screw | 1 | |
| | NUT KIT | | 58PI-NUTK |
| 18 | Nut | 1 | |
| 5 | Nylon Point Set Screw | 1 | |

PARTS KITS

The *Repair Kit* contains common wear items for this product. Users are encouraged to stock one or more repair kits considering the number of units installed and the potential downtime if machinery on which the unit is installed is critical equipment. To obtain current pricing and lead time for parts kits, contact customer service.

orders@machiii.com

ADDITIONAL PRODUCT INFORMATION

Click on the links below or copy and paste into your web browser.

To view the Installation & Maintenance Manual for this product:
http://www.machiii.com/PDF/Product-Manuals/CLUTCH_SENSIFLEX_PI_MANUAL.pdf

For information about the application and use of this and other Mach III products:
<http://machiii.com/Application/Default.asp>



859-291-0849

engineering@machiii.com

www.machiii.com